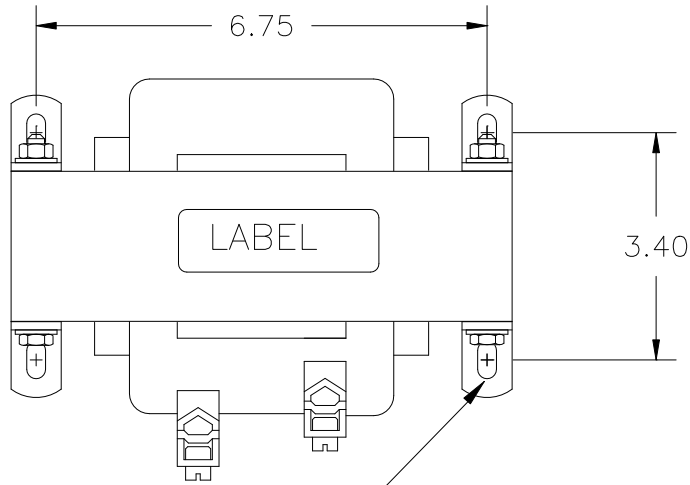


INDUCTANCE	LOSSES	WEIGHT
1.0 mH	60 Watts	32 Lbs

NO.	CHANGE DESCRIPTION	BY	DATE	C'K'D
-----	--------------------	----	------	-------



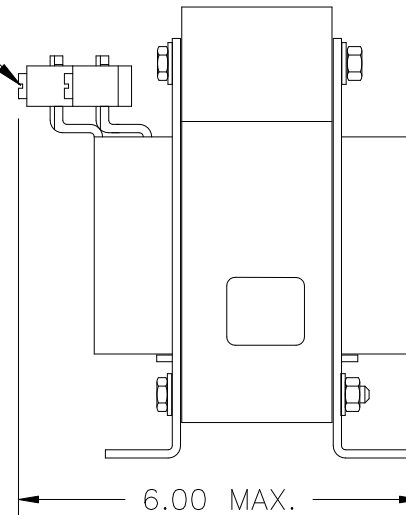
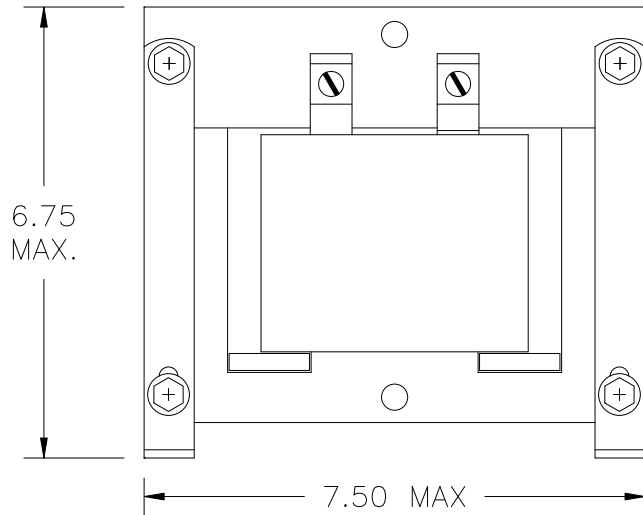
.281 x .563 SLOT
(4 PLCS)

WIRE RANGE: 6-0 AWG

CAUTION—TERMINAL SCREW TIGHTENING

TORQUE: 6-4 (45) in-lb MAX.

2-0 (50) in-lb MAX.



UNLESS OTHERWISE SPECIFIED, DIMENSIONS ARE IN INCHES [mm] AND TOLERANCES ARE:

DECI.

FRAC.

ANGLES

DRILLED HOLES

PART NAME:

DC LINK

DESCRIPTION:

OUTLINE DIMENSION

FINISH:

MTE CORPORATION
MENOMONEE FALLS, WISCONSIN

DCA009203

REV.
00

SCALE NTS

DATE 06/28/05

C'K'D

REF.

DR. BY AGK

APP'D

FILE: J:\CUST\DCA\DCA009203